

*Hygienic*

# **Valve Control Head**



Valve control head with internal solenoid valve

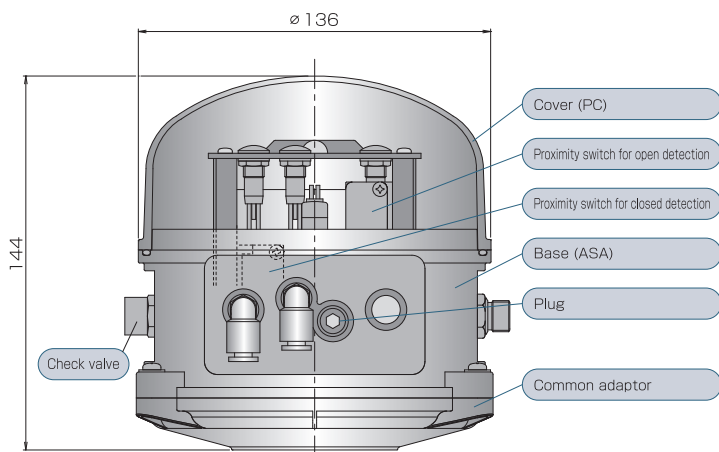
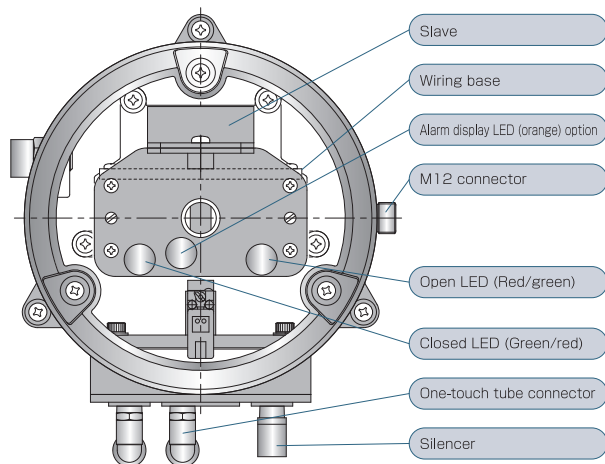
# BX type

### Application

- Sanitary valve
- Sequence valve
- Butterfly valve
- Ball valve
- Diaphragm valve

### Advantages

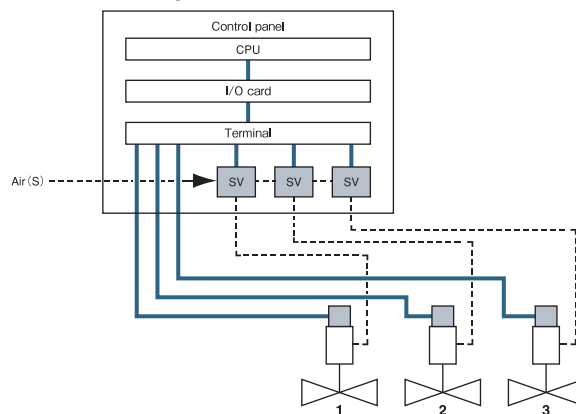
- The valve control head incorporates an ASi base, solenoid valve, and proximity switch in the case so that there is no need to provide space for the solenoid valve on the control panel, resulting in facility space efficiency. (Types incorporating Uni-Wire system and types incorporating only the solenoid valve are also available.)
- Conventional systems require air tube/feedback wiring to be performed for each valve from the control panel to the valves; however, the ASi system requires only the laying down of one line each for air tube/communication, which can reduce material and labor costs.



(Diagram shows the 4-port type BX-ACA122G.)

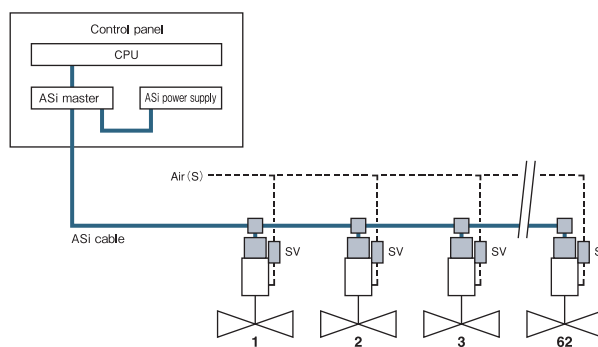
### System

#### ● Conventional system



- Downsized control panel
- Reduction in number of I/O units
- Reduction in wiring

#### ● ASi system



- Expanding up to 62 valves/buss (max) is possible.
- A single ASi cable can not only supply power but also send communication signals.
- The cable can be extended up to 200m to the ASi power supply (termination is necessary.)
- If a repeater, ASi power supply and termination are used, it will be possible to extend the total length up to 600m.

### Control head specifications

Basic type	Attachment type	Slave	Solenoid valve		Proximity switch		LED		Color of closed LED	Application
			Q'ty ※1	Q'ty ※2	Q'ty ※3	Q'ty ※3				
BX-	RW	<input type="checkbox"/> A: ASi system <input type="checkbox"/> U: Uni-Wire system <input type="checkbox"/> O: None	<input type="checkbox"/> 1	<input type="checkbox"/> 0 <input type="checkbox"/> 1 <input type="checkbox"/> 2	<input type="checkbox"/> 0 <input type="checkbox"/> 1 <input type="checkbox"/> 2 <input type="checkbox"/> 3	<input type="checkbox"/> G: Green <input type="checkbox"/> R: Red	For standard butterfly and ball valves  For single-operation butterfly and ball valves  For reciprocating-operation sanitary and sequence valves  For single-action sanitary, sequence and diaphragm valves  For double-position type, triple-position type and tank safety unit			
	RC		<input type="checkbox"/> 1	<input type="checkbox"/> 0 <input type="checkbox"/> 1 <input type="checkbox"/> 2	<input type="checkbox"/> 0 <input type="checkbox"/> 1 <input type="checkbox"/> 2 <input type="checkbox"/> 3					
	AW		<input type="checkbox"/> 1	<input type="checkbox"/> 0 <input type="checkbox"/> 1 <input type="checkbox"/> 2	<input type="checkbox"/> 0 <input type="checkbox"/> 1 <input type="checkbox"/> 2 <input type="checkbox"/> 3					
	AC		<input type="checkbox"/> 1 <input type="checkbox"/> 2 <input type="checkbox"/> 3	<input type="checkbox"/> 0 <input type="checkbox"/> 1 <input type="checkbox"/> 2	<input type="checkbox"/> 0 <input type="checkbox"/> 1 <input type="checkbox"/> 2 <input type="checkbox"/> 3					
	SC		<input type="checkbox"/> 1 <input type="checkbox"/> 2 <input type="checkbox"/> 3	<input type="checkbox"/> 0 <input type="checkbox"/> 1	<input type="checkbox"/> 0 <input type="checkbox"/> 1 <input type="checkbox"/> 2 <input type="checkbox"/> 3					

※ 1 When there is one solenoid: 4-port type base is provided; when there are 2 or more solenoid valves: 8-port type base is provided.  
 ※ 2 When there is one proximity switch: Close-side detection functions.  
 ※ 3 1 LED: Closed; 2 LEDs: Closed/Open; 3 LEDs: Closed/Open + Alarm display (orange)  
 If 3 solenoid valves are used, it is impossible to attach an LED for displaying alarm.

Switch incorporated feedback unit

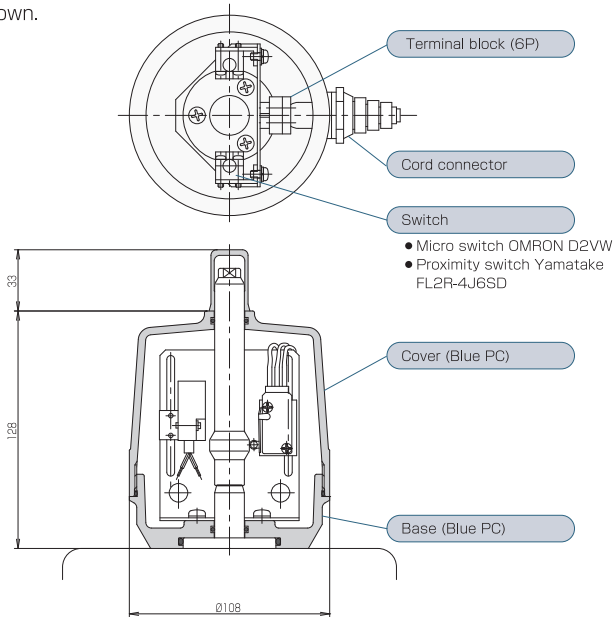
**C2 type** **A2 type**

- Micro switch type
- Proximity switch type

A polycarbonate-resin-based limit base made by injection molding and a watertight micro switch are incorporated in the cover, which enhances the insulation withstand characteristics. Furthermore, in order to simplify instrumentation, a terminal block is provided. Perform adjustment by loosening the limit switch attachment screw and moving it up and down.

**Component specifications**

- Proximity switch: 2-wire type DC24V 100mA
- Limit switch: NC or NO. 250V 4A
- Cord connector: PF1/2
- Terminal block: 6P



Application table by model and size

Legend	Valve model	Valve size										
		8A	10A	15A	1s	1.5s	2s	2.5s	3s	4s	5s-6s	
With 1 or 2 micro switches or proximity switches ○: C2/A2 type ○: CF/AF type	Double-seal sequence valve	—	○/○	○/○	○/○	○/●	○/●	○/●	○/●	○/●	○/●	○
	Single-seal sequence valve	—	○/○	○/○	○/○	○/●	○/●	○/●	○/●	○/●	○/●	○
With 1 proximity switch (closed)※1 ●: AF type	Sanitary valve	—	—	—	○/○	○/○	○/○	○/●	○/●	○/●	○/●	—
	DH, DA type diaphragm valve	○/○	○/○	○/○	○/○	○/○	○/●	○/●	○/●	○/●	—	—

※ If you need the AF type with 2 proximity switches, consult our company.

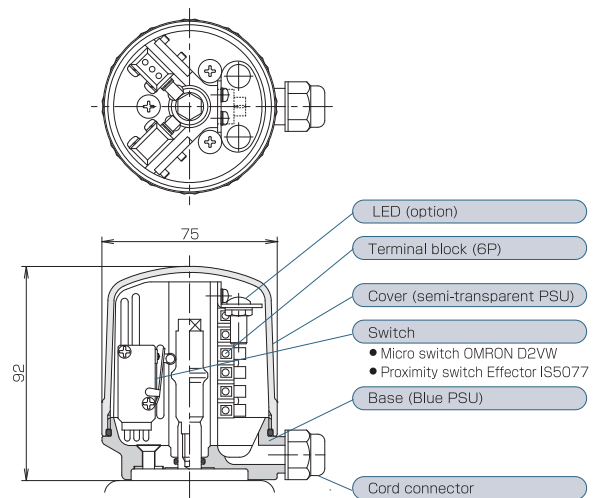
**CF type** **AF type**

- Micro switch type
- Proximity switch type

The watertight type micro switch and proximity switch are incorporated into the compact case which is molded from rigid polysulfone resin, enhancing the waterproof property. The cover is transparent, which allows you to check the inside visually.

**Component specifications**

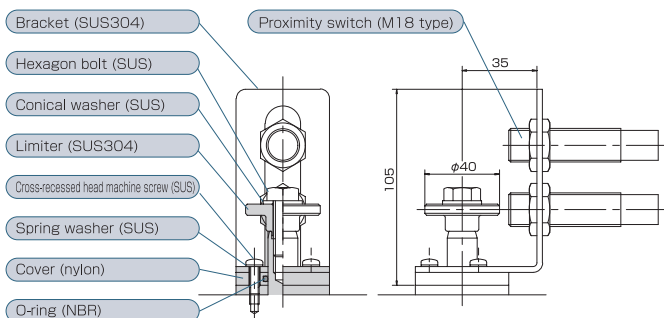
- Proximity switch: 2-wire type DC24V 100mA
- Micro switch: NC or NO. 250V 4A
- Cord connector:  $\phi 4.5$  to  $\phi 8.0$
- Terminal block: 6P



Stay-attachment type feedback unit

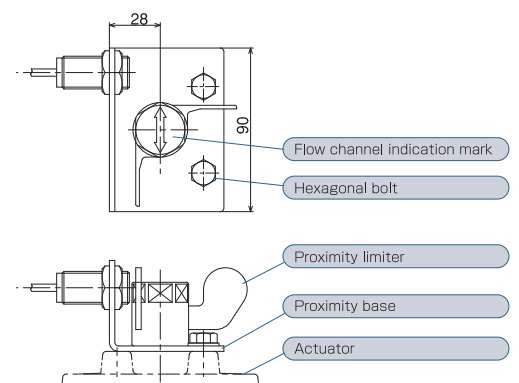
► Proximity switch assembly for piston cylinder

This type is for mounting on the cylinder. For short-stroke products such as small-diameter sequence valves, diaphragm valves, etc., M12 type proximity switches are provided.



► Proximity switch assembly for rotary actuator

This type is for mounting on the rotary actuator.



**TOSTE** TOSTE Co.,Ltd.

Headquarters:

1-32, Honden 2-chome, Nishi-ku, Osaka 550-0022  
TEL: +81-6-6585-0700 FAX: +81-6-6586-0708

Trade Department:

TEL: +81-6-6585-2277 FAX: +81-6-6586-0708

TOSTE VIETNAM CO.,LTD

Rental Factory 5-1, Road N3-2, Long Duc IP,  
Long Duc Ward, Long Thanh district,  
Dong Nai province, Vietnam  
TEL: +84-251-368-1800 FAX: +84-251-368-1881

肇慶東洋新島不銹鋼工程有限公司

〒526072 肇慶市鼎湖区蓮花鎮7区蓮信路

TEL: +86-758-2619887

FAX: +86-758-261978